

51 71 038

Removing and installing/replacing front left or right wheel arch cover (front section)

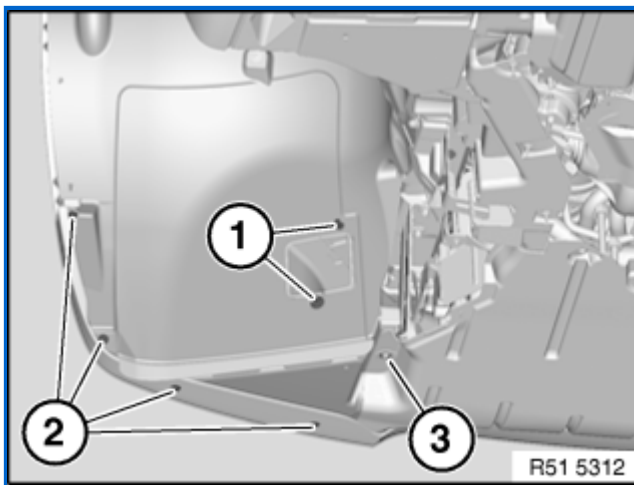


Necessary preliminary tasks:

- Remove [front wheel](#)
- Remove [trim on front wheel arch](#)

Note:

Work shown on the X5 3.0d by way of example; there may be differences in detail on other models.

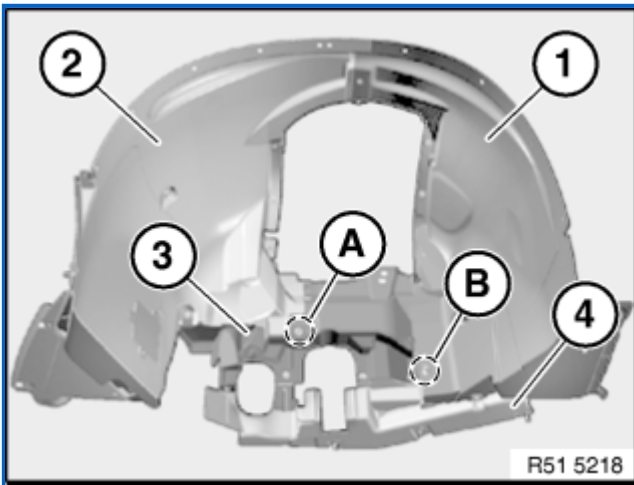
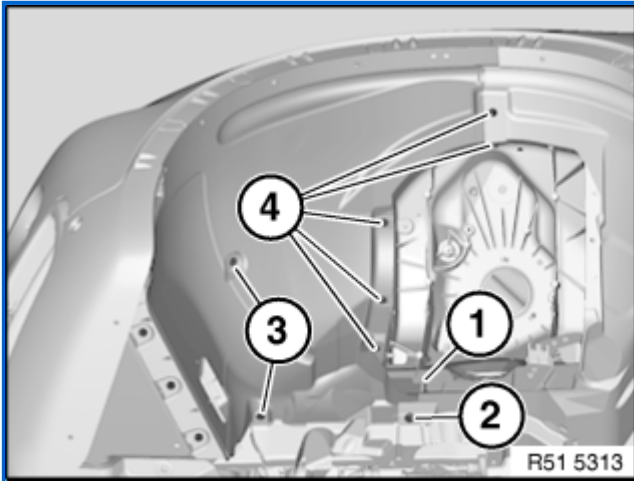


Release expander rivets (1) and screws (2, 3).

Release expander rivet (1) and nut (2).

Release screws (3, 4).

Feed out wheel arch cover in downward direction.



Important!

Make sure all covers in wheel arch are correctly seated in relation to each other:

- Rear cover (1) overlaps front cover (2)
- Cover (4) overlaps rear cover (1)
- Cover (3) overlaps covers (2, 4) and rear cover (1) in area (A)

Left side only:

- Rear cover (1) overlaps cover (3) in area (B).

Replacement:

- Modify lip (1)
- If necessary, modify cover (2)

