

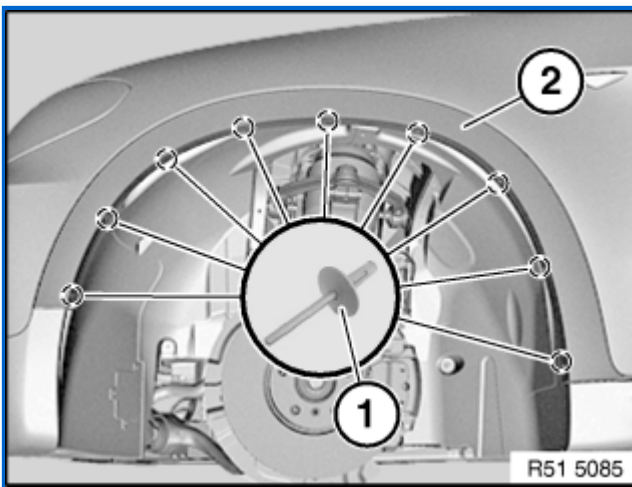
51 71 470

Removing and installing/replacing trim on front left or right wheel arch



Special tools required:

- [00 2 230](#)



Note:

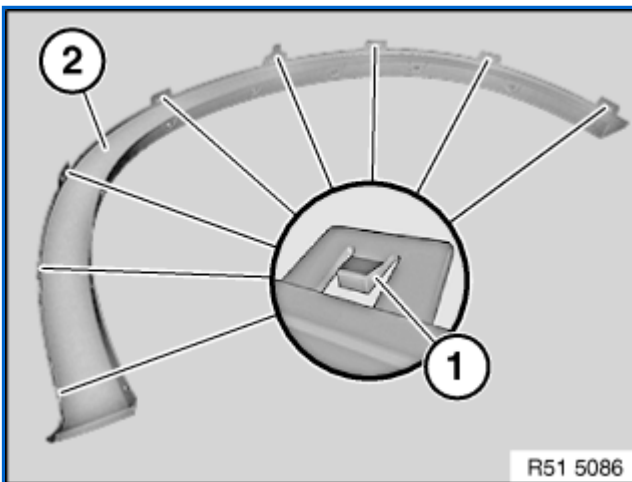
The operation is described on the left side; proceed in the same way for the right side.

Release blind rivets (1).

Unclip trim (2) outwards.

Installation:

Make sure trim (2) is correctly seated on underside protection and frame side member.



Installation:

Apply blind rivets with special tool [00 2 230](#). Catches (1) on trim (2) must not be damaged.